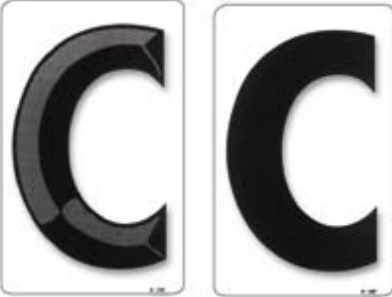
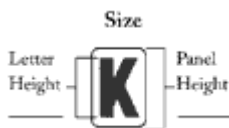


## ZIP CHANGE LETTERS

Wagner Zip Change Letters are flat, changeable, and self-spacing. Letters are screened onto clear acrylic unless high impact is specified. Available in Half Tone or Solid Stroke styles. Both are available in condensed versions, which permit 30% more letters on a sign compared to standard width.

 <p>Half Tone or Solid Stroke</p>	STYLES AND SIZE CHART	
	4" on 5" panel	
	6" on 7" panel	
	8" on 10" panel	
	10" on 12" panel	
	12" on 14" panel	
	15" on 17" panel	
	17" on 19" panel	
24" on 26" panel		


## HOW TO DETERMINE FONT SIZE

To determine the Font Size to Order – Multiply the total linear feet of changeable letter space in the sign (double faced signs double the linear feet) by the multiplier number listed below.

LETTER SIZE	MULTIPLIER	NBR. OF LETTERS THAT WILL FIT IN 10 LINEAR FT.	DISTANCE READERSHIP	RECOMMENDED BOARD LENGTH
4"	8	34½	150'	4' – 8'
6"	5 ½	24	200'	6' – 10'
6" Cond.	7	32	175'	5' – 8'
8"	4	18 ½	350'	8' – 12'
8" Cond	5 ½	24 ½	325'	6' – 10'
10"	3 ½	14 ½	450'	10' – 14'
12"	3	12	525'	12' – 16'
15"	2 ½	10	630'	16' & over
17"	2	8 ½	710'	16' and over
24"	1 ½	6	1000'	20' and over

## CHANGEABLE LETTER TRACK

Zip-change Lettering Track is available in high impact acrylic for plastic backgrounds. Available in 8', 10' and 12' sections.

 <p>Mutual Track</p>	TRACK SPACING CHART	
	Letter Size	Visible Opening
	3	3-1/4"
	4	4-1/4"
	6	6-1/4"
	8	8-1/4"
	10	10-1/4"
	11	13-1/4"

## FONT SIZE FORMULA

Length of row (length of sign) x number of rows x numbers of faces x multiplier=Approximate Font Size (round up/down as necessary.) A minimum 250 font should be ordered for a four line two sided 4' x 8' copy board to be effective.

COMMERCIAL FONTS (NUMBER INCLUDED)								
LETTERS	50	100	150	200	250	300	350	400
A...	3	6	8	10	12	12	14	18
B...	1	2	4	6	8	8	10	10
C...	1	2	4	6	8	8	10	10
D...	1	2	4	6	8	8	10	10
E...	3	6	10	12	16	18	20	24
F...	1	2	4	6	6	8	8	12
G...	1	2	4	6	6	8	8	10
H...	1	2	4	6	6	8	8	10
I...	3	6	8	12	12	16	20	24
J...	1	2	2	6	6	8	8	10
K...	1	2	4	6	6	8	10	12
L...	1	2	6	8	10	10	12	16
M...	1	2	6	8	8	8	12	14
N...	1	2	6	8	8	10	12	14
O...	3	6	8	10	12	12	16	18
P...	1	2	6	8	8	10	14	16
Q...	1	2	2	2	4	4	4	4
R...	2	4	6	8	8	10	14	16
S...	2	4	6	8	8	10	14	16
T...	2	4	6	8	8	10	14	16
U...	2	4	8	10	10	12	18	20
V...	1	2	2	4	6	6	6	8
W...	1	2	2	4	6	6	6	8
X...	1	2	2	2	4	4	4	4
Y...	1	2	2	4	4	6	6	8
Z...	1	2	2	2	4	4	4	4
NUMERALS								
1...	1	2	2	2	4	6	6	6
2...	1	2	2	2	4	6	6	6
3...	1	2	2	2	4	6	6	6
4...	1	2	2	2	4	6	6	6
5...	1	2	2	2	4	6	6	6
6...	1	2	2	2	4	6	6	6
7...	1	2	2	2	4	6	6	6
8...	1	2	2	2	4	6	6	6
9...	1	2	2	2	4	6	6	6
0...	1	2	2	2	4	6	6	6
\$...	1	2	2	2	4	4	4	4
¢...	1	2	2	2	4	4	4	4
TOTALS	50	100	150	200	250	300	350	400

## ZIP LITE-REVERSE COPY LETTERS



This patented reverse copy letter system is available in a black finish. The letters, made of high impact DR® material, along with the patented lap strip design, give these letters a unique appearance while eliminating the risk of light leaks around the letters. When used with the recommended blank spacers, the final result is a totally opaque sign face with reverse copy.


**DURABLE:** — Letters are printed on a high impact DR material and sealed with a clear protective coating to resist scratching and fading. **Colours:** — Black (Bronze by quote only). **Clear Coated:** — for scratch resistance.

**5 LETTER SIZES:** — 4", 6", 8", 10", and 12"

**NOTE:** —ZIP-LITE letters will ONLY work with ZIP-LITE track. Zip-Lite copyboard faces should not be enclosed in any type of vandal proof cover. Letter warping may occur due to heat build-up. This will void any written or implied warranties.

## ZIP LITE LETTERING TRACK

ZIP-LITE mutual track was developed for use with these letters. This track can be cemented or riveted to any flat or corrugated sign background. On the second surface paint a 2" opaque strip on both ends as well as behind each track to prevent light leaks

 <p>Mutual Track</p>	SPACING				
	2 1/2"=4 1/4"	4"=4 1/4"	6"=6 1/4"	8"=9 1/4"	10"=11 1/4"

## ZIP-CHANGE LETTER CHANGER

The Zip-Change Letter Changer permits easy handling of each letter from the ground. Available in 12', 18' and 24' lengths with single or double suction cups.

### FEATURES:

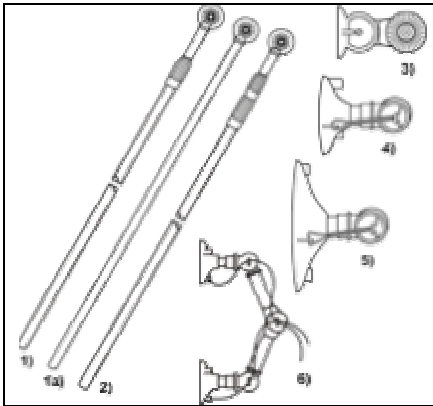
Superior Suction — heavy duty suction cup(s) firmly hold each letter for positive control

Easy Release — release wire breaks the cup suction when pole is twisted clockwise.

Adjustable Elbow — can easily be set to any angle.

Lightweight and Strong — Heavy Duty aluminum pole provides easy use.

### LETTER CHANGER REPLACEMENT PARTS



1)	12 foot pole only
1a)	6 foot inner pole only (w/ratchet) Specify for 12' or 18' changer
2)	18 foot pole only. 24 foot pole only (not shown)
2a)	8' Inner pole only (w/ratchet)
3)	Suction cup assembly* — 2 1/8" Diameter (4" letters)
4)	Suction cup assembly* — 3 3/4" Diameter (Regular)
5)	Suction cup assembly* — 7" Diameter (Jumbo)
6)	Double Cup Assembly (2 regular cups) without pole